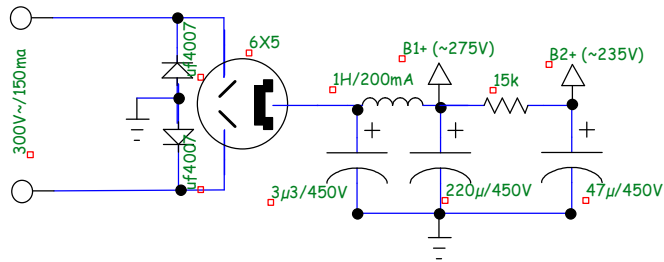
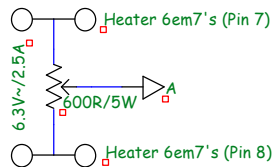


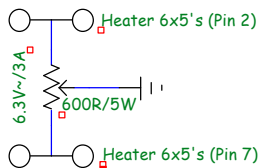
main PS (needed twice)



Heater 6em7's



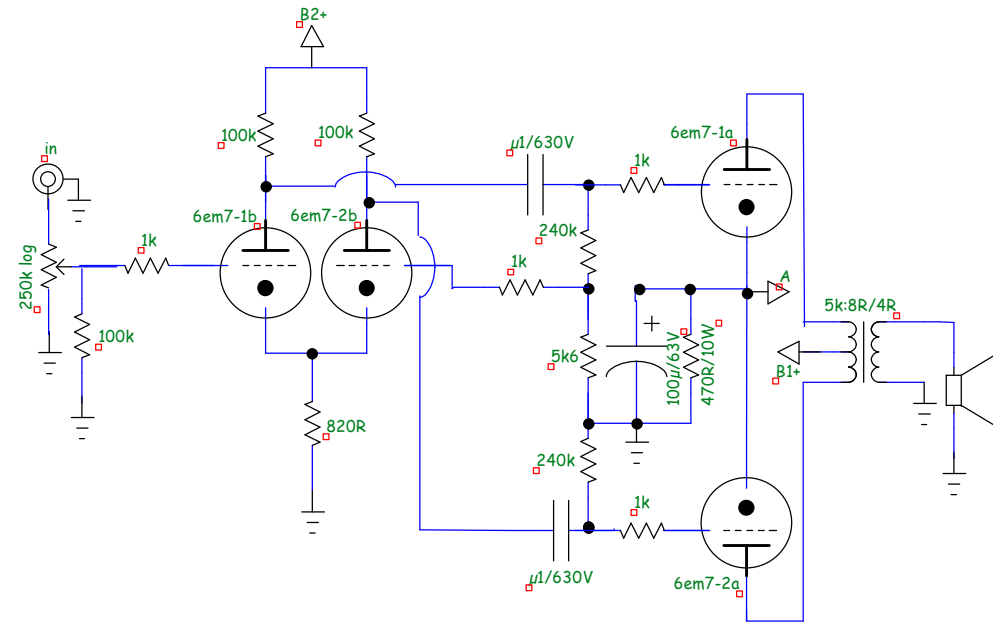
Heater 6x5's



All R's 2W unless otherwise noted

Amp Schematic (1 ch. -> needed twice)

original amp schematic at (c) www.sunvalley-e.co.jp/kit/ssub/ssubcp.jpg





Disclaimer

No responsibility is taken for the correctness of the schematics. They are partly simplified (no fuses, no mains switches ...)

Furthermore ANY commercial use is PROHIBITED without written permission of the respective owner.

More info at www.valviac.com
Read the impreZZm

!!! USE AT YOUR OWN RISK !!!



Title the AWOLL		
Author www.valviac.com		
File D:\USERS\valviac\schematics\the AWOLL.dsn	Document	
Revision 1.0	Date 15. Dec. 2005	Sheets 1 of 1