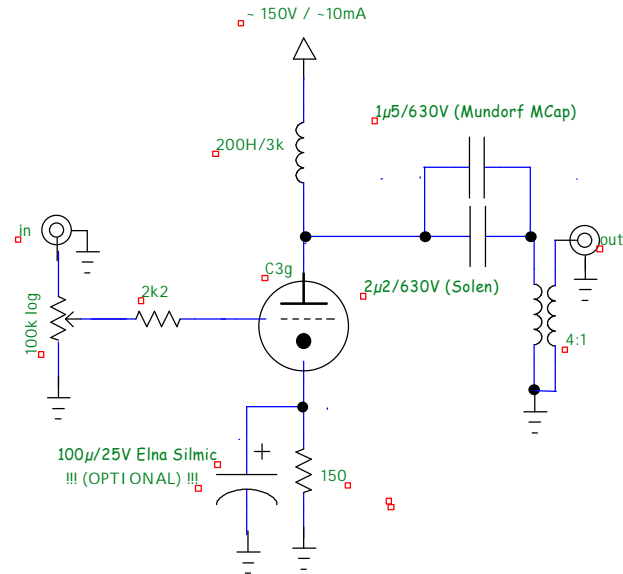
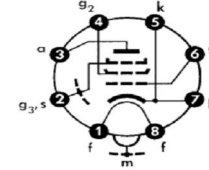


3uridiCGe PreAmp (1 channel)


based on the famous EURIDICE circuit of Ciro Marzio, Cristiano Jelasi & Luca Chimenti



C3g wired as Triode
g2 -> a # g3 -> k



!!! All R's 2W unless otherwise noted !!!




Disclaimer

No responsibility is taken for the correctness of the schematics. They are partly simplified (no fuses, no mains switches...)
Furthermore ANY commercial use is PROHIBITED without written permission of the respective owner.

More info at www.valviac.com
Read the impreZZm

!!! USE AT YOUR OWN RISK !!!



DANGER **High voltage**

Title 3uridiCGe (Line-PreAmp)		
Author www.valviac.com		
File D:\USERS\valviac\cad-schematics\3uridiCGe.dsn	Document	
Revision 1.0	Date 19. Sep. 2009	Sheets 1 of 1